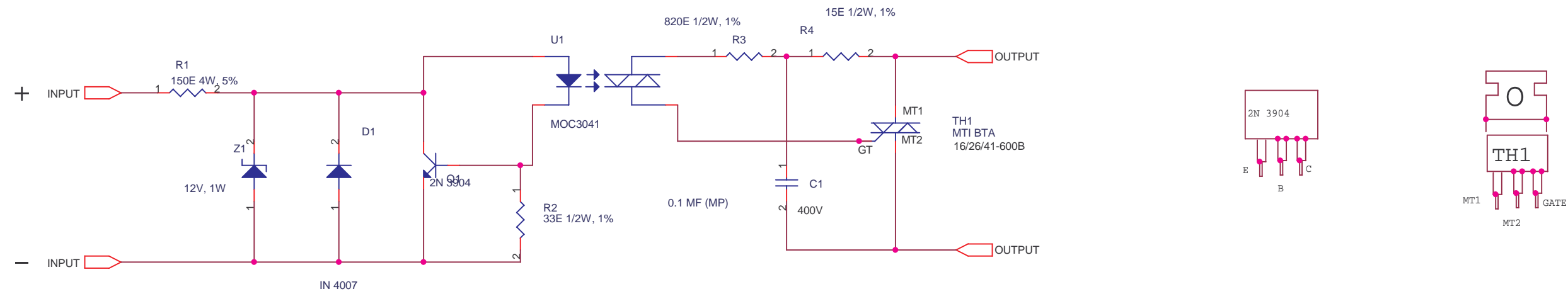
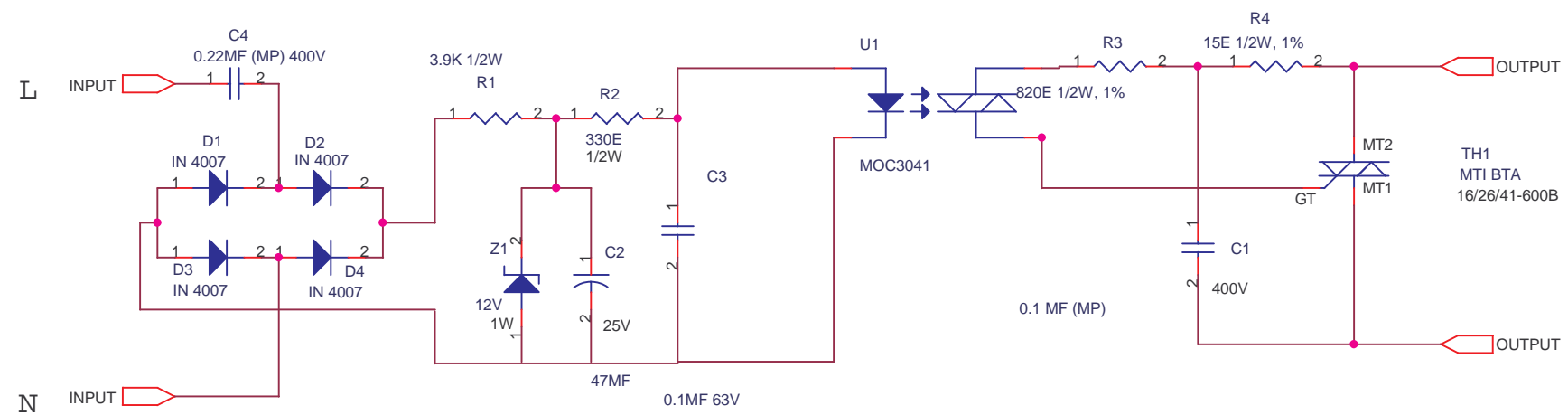


# DC SOLID STATE RELAY



# AC SOLID STATE RELAY



CIRCUITS PROVIDED BY ANANTHA NARAYAN DELABS ARE FOR EDUCATIONAL PURPOSE ONLY.  
 THE CIRCUITS ARE NOT PROVEN WORKING DESIGNS BUT CAN BE EXPERIMENTED UPON.  
 THE USER OF THIS CIRCUIT WILL EXPERIMENT/APPLY/BUILD PROJECTS AT HIS OWN RISK.

Anantha Narayan delabs  
 #2590, 17th Cross, 8th Main  
 Banashankari 2nd Stage  
 BANGALORE 560 070 Kar. India  
 anantha\_narayan@hotmail.com +91 80 6768863

Title  
 DC/AC CONTROL 230V LOAD SSR

Size B Document Number DACT0013.SCH Rev 00

Date: Sunday, August 10, 2003 Sheet 1 of 1